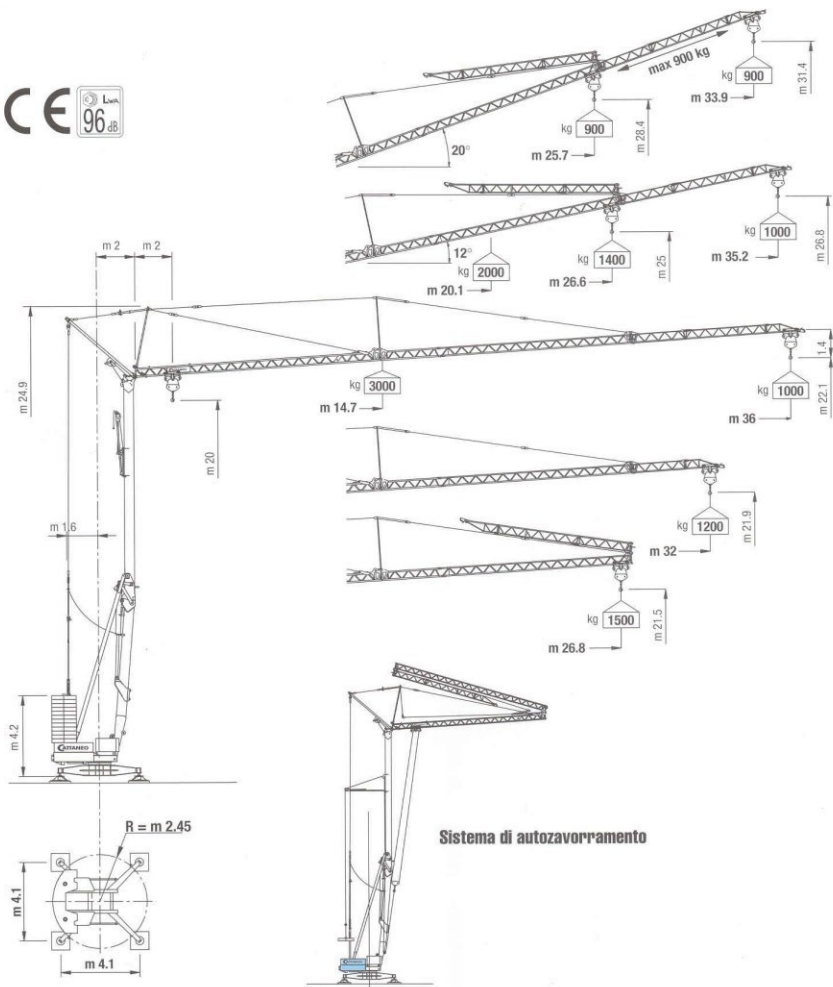


CM 75S4



Sistema di autoavvornamento

Curve di carico	kg	3000	2500	2000	1900	1800	1700	1600	1500	1400	1300	1200	1100	1000
Load diagrams	m	14.7	17.1	20.5	21.4	22.4	23.4	24.6	26.0	27.5	29.2	31.1	33.3	36.0
Courbes de charge	m	15.1	17.5	21.0	21.9	22.9	24.1	25.3	26.7	28.2	30.0	32.0		
Lastkurven	m	15.1	17.6	21.0	22.0	23.0	24.1	25.4	26.8					
Curvas de cargas	m			20.1	21.0	21.9	23.0	24.1	25.4	26.9	28.6	30.5	32.7	35.2