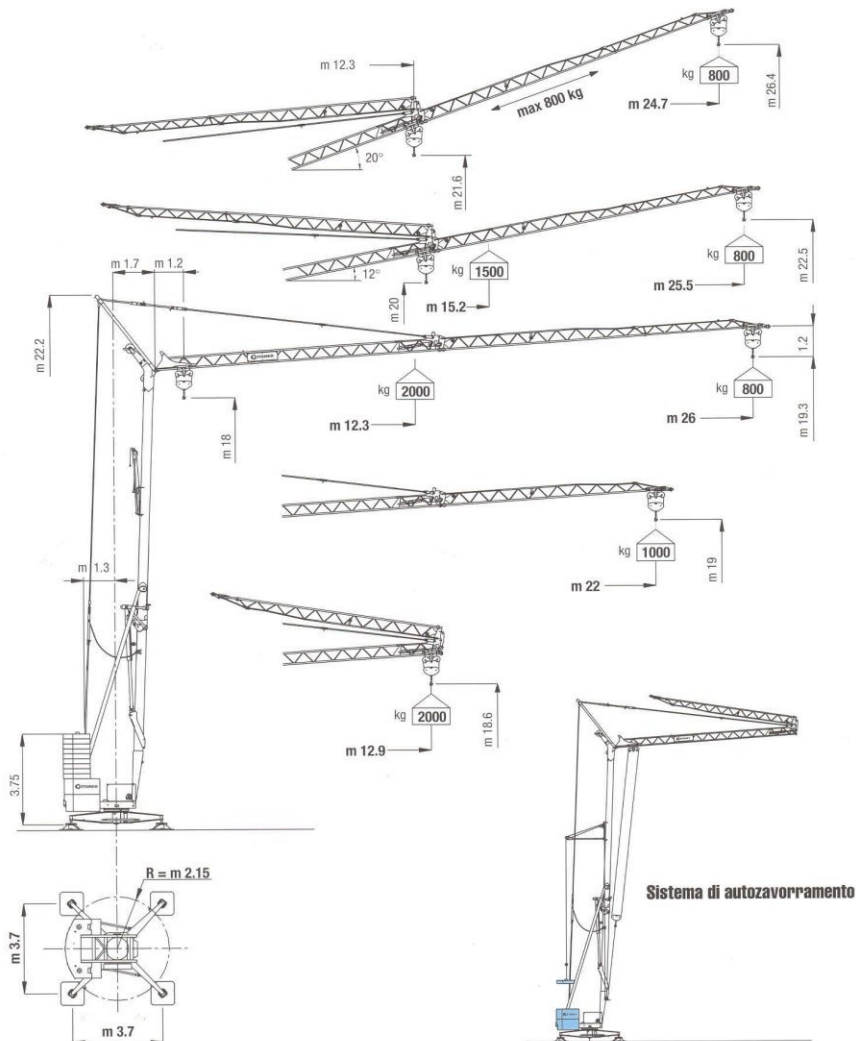


CM 76B



Curve di carico	kg	2000	1800	1600	1500	1400	1200	1000	800
Load diagrams	m	12.3	13.4	14.7	15.5	16.4	18.6	21.6	26.0
Courbes de charge	m	12.4	13.5	14.9	15.7	16.6	18.9	22.0	
Lastkurven	m				15.2	16.1	18.3	21.2	25.5
Curvas de cargas	m								

